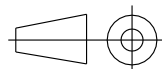
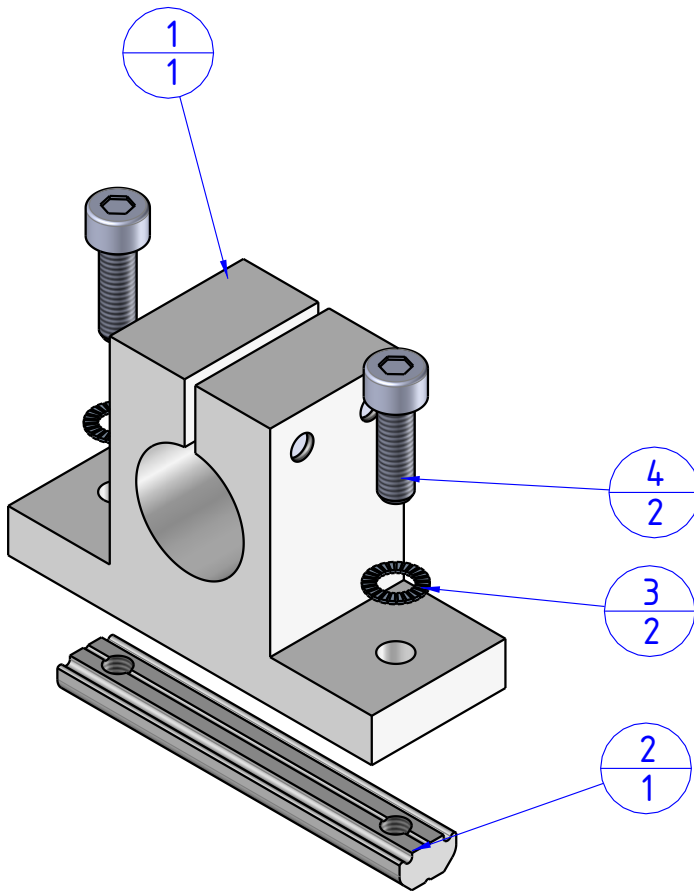
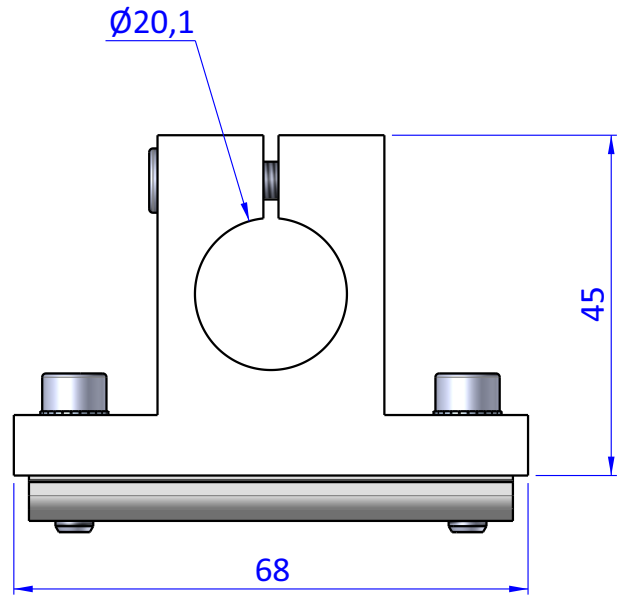


THE PROPERTY OF THE DRAWING IS ESTABLISHED BY LAW. IT IS FORBIDDEN TO PRODUCE OR SHOW IT TO THIRD PART. WITHOUT A WRITTEN AGREEMENT.

Item	Name	Q.ty
1	CA.03.07.003	1
2	GWP.5.52	1
3	R.5.SCH	2
4	V.TCE5x16	2



DESIGNED FROM FPS Automation		REVIEW A
DATE 14/06/2021	WEIGHT 0,130kg	
CODE CA.03.07.003.X		

Format A4	GENERAL TOLERANCE UNI - ISO 2768 CLASSE f	DESCRIPTION CA.03.07.003.X
------------------	--	--------------------------------------

UNI 936-76